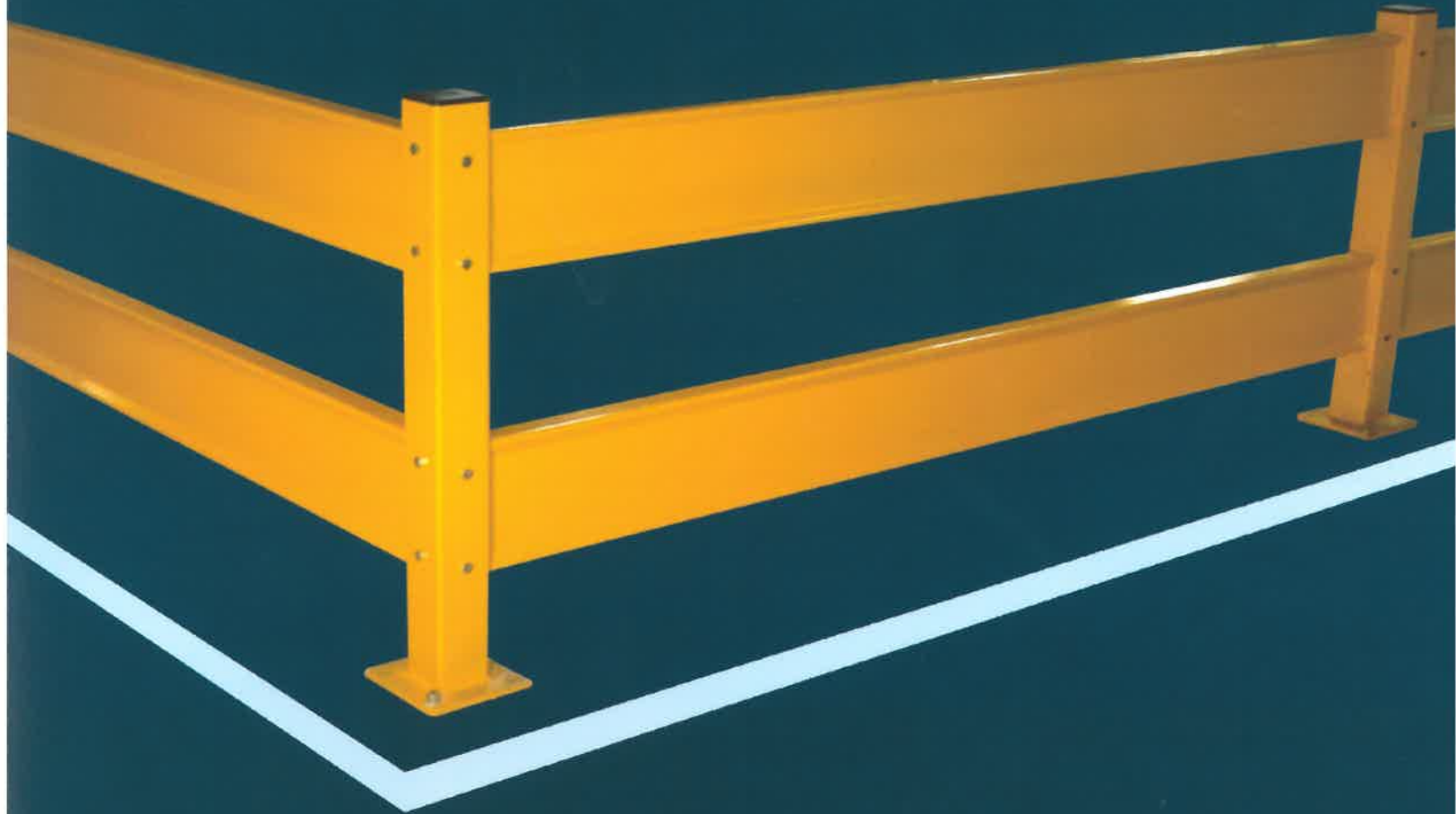




# **SpeedGuard**

SPEEDRACK PRODUCTS GROUP



**SAFETY & PROTECTION PRODUCTS**

## Why SpeedGuard?



### Speedrack SpeedGuard Benefits

- ◆ Variety of Uses: mezzanines, inplant offices, conveyors, water mains, valuable equipment and more!
- ◆ Reduces downtime for manpower and equipment.
- ◆ Increased safety lowers Worker's Compensation claims.
- ◆ Easy-to-install, universal column.
- ◆ Hardware and Anchors included.
- ◆ Manufactured with Yellow finish.



# Speedrack SpeedGuard

DIFFERENCE . . . by design

The Speedrack **SpeedGuard** rail system is the ultimate protection for a safe and efficient workplace. Our SpeedGuard system protects expensive equipment, helps define traffic patterns, and shields work areas. Constructed of high-strength steel, Speedrack SpeedGuard systems are designed to withstand severe impact with mobile equipment.



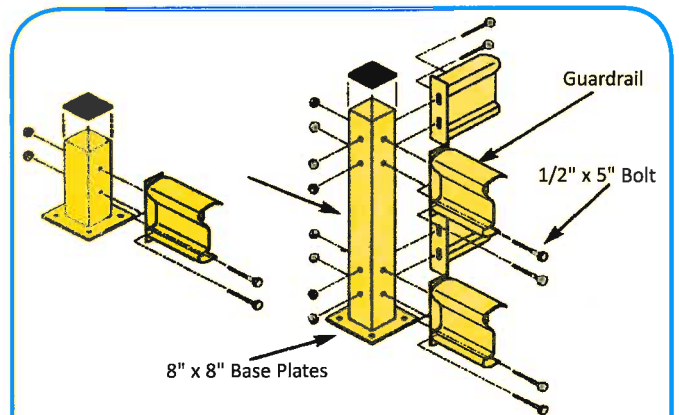
## SpeedGuard Specifications

### Standard Posts

- ◆ Universal Posts
- ◆ 18" & 42" high
- ◆ 4x4 x 3/16" square tube
- ◆ 8x8 x 1/2" base plates
- ◆ 4 – 5/8" anchors included

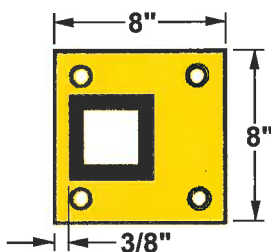
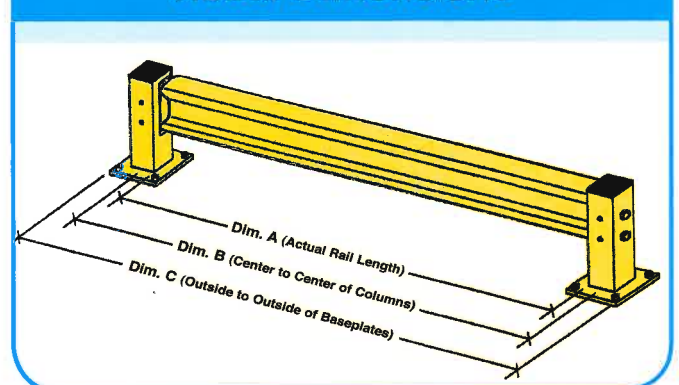
### Standard Rails

- ◆ Available in lengths up to 10'
- ◆ 10 Ga. Cold-formed Steel Rails
- ◆ 10" high
- ◆ Custom sizes available – 10' max.

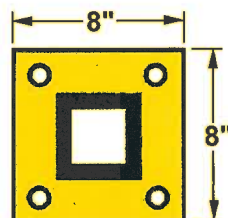


8" x 8" Base Plates

### Visual Dimensions



Narrow Aisle  
Base Plate



Centered  
Base Plate



Rail	Dim. A	Dim. B	Dim. C (Centered)	Dim. C (Narrow Aisle)
GR10-048	44"	48"	56"	52 - 5/8"
GR10-060	56"	60"	68"	64 - 5/8"
GR10-072	68"	72"	80"	76 - 5/8"
GR10-084	80"	84"	92"	88 - 5/8"
GR10-096	92"	96"	104"	100 - 5/8"
GR10-108	104"	108"	116"	112 - 5/8"
GR10-120	116"	120"	128"	124 - 5/8"


## Standard Rail Sizes

Nominal Rail Length	Part #
10'	SG-GR10-120
9'	SG-GR10-108
8'	SG-GR10-096
7'	SG-GR10-084
6'	SG-GR10-072
5'	SG-GR10-060
4'	SG-GR10-048
3'	SG-GR10-036
2'	SG-GR10-024

**ACTUAL RAIL LENGTH IS 4" LESS THAN NOMINAL**

Posts	Part # (Post Centers)
Single Rail Centered	SG-UPC-018 Height 18" (Rail Ht. 16")
Single Rail Narrow Aisle	SG-UPN-018 Height 18" (Rail Ht. 16")
Double Rail Centered	SG-UPC-042 Height 42" (Rail Ht. 40")
Double Rail Narrow Aisle	SG-UPN-042 Height 42" (Rail Ht. 40")

Consult Speedrack for custom sizes.



**SpeedGuard  
Bolts  
Together!  
Just Two  
Components!**

## Upright Protectors, Posts, Bollards and Column Guards

### Posts and Bollards

Base Plate



Core Drilled



Speedrack's End of Row Guards shield your storage systems from collisions and help define the flow of traffic in your aisles. End of Row Guards are available in standard and custom sizes for any rack configuration, including single and back-to-back layouts.

### Upright Protectors



### Column Guards

Standard



Reach Truck



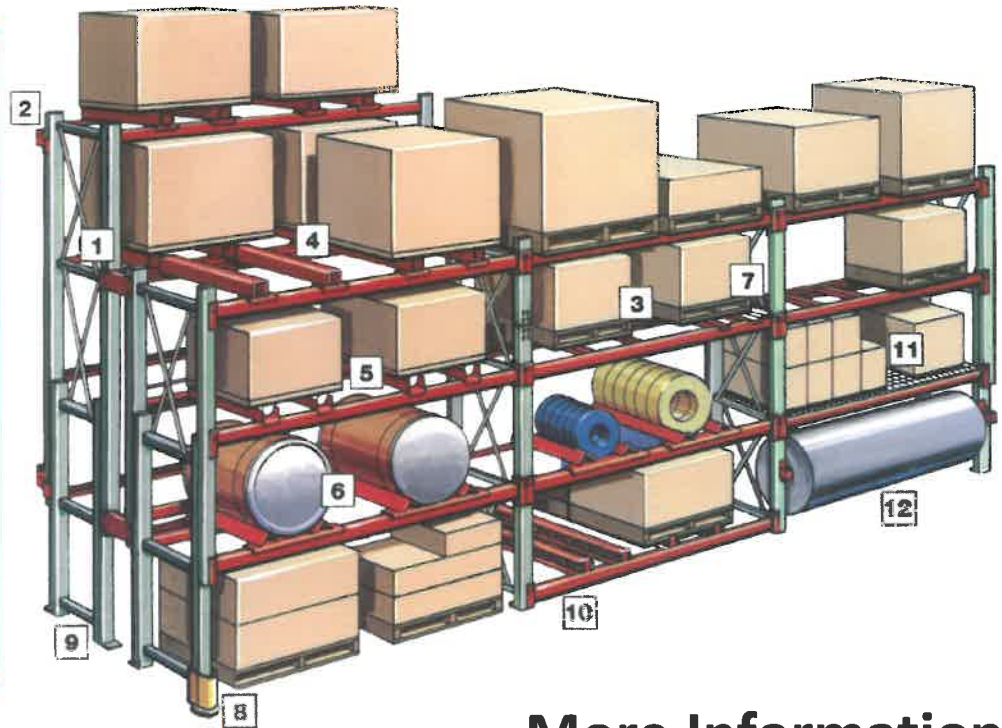
Anchored  
(Available for 3" and 4" Column)

Bolt On



## Additional Speedrack Storage System Accessories

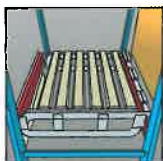
1. Row Spacers
2. Wall Anchors
3. Cross Bars
4. Fork Entry Bars
5. Skid Channels
6. Drum/Coil Cradles
7. Flanged Cross Bars
8. Column Protectors
9. Super Truss®
10. Pallet Flow Rails
11. Wire Mesh Deck
12. Roll/Axle Bracket



## More Information

For specifications on any of the products listed below or for additional information, please contact Speedrack at 1-800-752-7352 or visit us at [www.speedrack.net](http://www.speedrack.net).

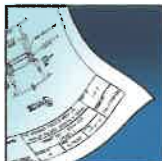
- ◆ Speedrack Selective Rack
- ◆ Speedrack Cantilever Rack
- ◆ Cant-leg® Upright Trusses
- ◆ Speedrack K-1000 (Teardrop) Selective Rack
- ◆ Speedrack Drive-In/Drive-Through Rack
- ◆ Super Truss® Upright Trusses
- ◆ Speedrack Structural Cantilever
- ◆ Speedrack Furniture Cantilever
- ◆ Rack Safety
- ◆ Speedrack Keystone Selective Rack
- ◆ Speedrack Heavy Duty Cantilever
- ◆ Modular Pallet Flow
- ◆ Speedrack Modular Rollback™ / Modular Pushback™
- ◆ Pallet Flow Rails



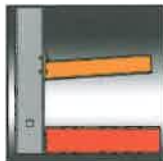
MODULAR PALLET FLOW



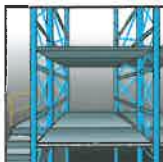
SELECTIVE RACK



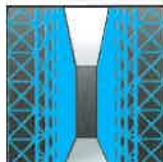
ENGINEERING



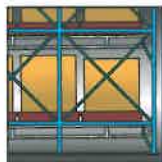
STRUCTURAL CANTILEVER



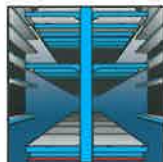
MODULES



RACK SUPPORTED BLDG.



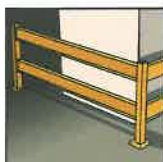
MODULAR ROLLBACK™



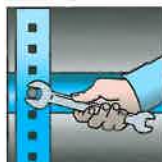
FURNITURE CANTILEVER



DRIVE-IN



SPEEDGUARD



INSTALLATION



**Speedrack Products Group, LTD.**  
 7903 Venture Avenue • Sparta, Michigan 49345  
 Toll-Free 1-800-752-7352  
[www.speedrack.net](http://www.speedrack.net)